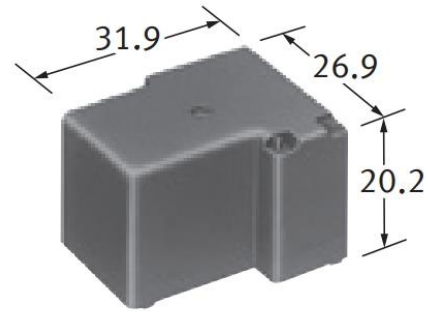


12 Volt, 30 Amp, Power Relay SPST Panasonic JTV1AS-PA-12V PCB Mounting



- Coil to contact breakdown voltage 3500 V RMS
- Low Power operation, coil - 83mA at 12v DC
- Quiet Operation
- 30 Amps Max contact rating
- 20 Amps at 277 V AC
- UL/C-UL Recognized

Applications include power control in Industrial Equipment, Consumer appliances, Amateur Radio and Communications.

(Note: An application PCB and some parts are available.)

See Relay Module description in the Hamguyparts Articles section.

For complete relay specs, see link below:
<https://dtsheet.com/doc/170074/panasonic-jtv1as-pa-12v>