

Here is an easy to make item that will improve the efficiency of your electronics workbench:

Spool holder for wire-type solder that doubles as a dispenser

I use several different thicknesses of wire solder, depending on the job at hand. Most often I use 0.5mm diameter flux-core wire solder, and sometimes the 0.75 mm version where more is needed. To use, I will pull off a foot or so of the solder wire and hold it loosely coiled in my hand, while directing the end to the intended solder joint. Of course the solder spools then sit on the bench taking up space or are put away in a drawer making later retrieval annoying.

On my bench I have an elevated shelf that holds meters, 'scopes etc and it has a 3/4" x 1.5" wood post as a center support. I thought it would be clever to simply store a solder spool on a peg or long bolt fastened to the wood center post. Taking it a step further, an extra-long peg or rod would hold 2 spools, one on each end of the support. See photo.

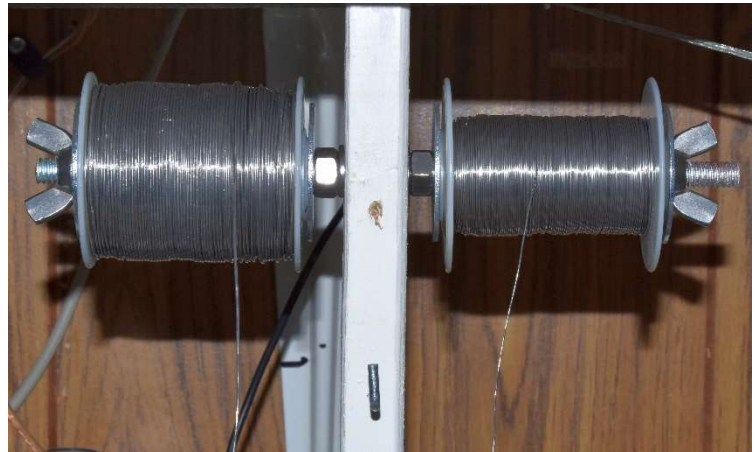
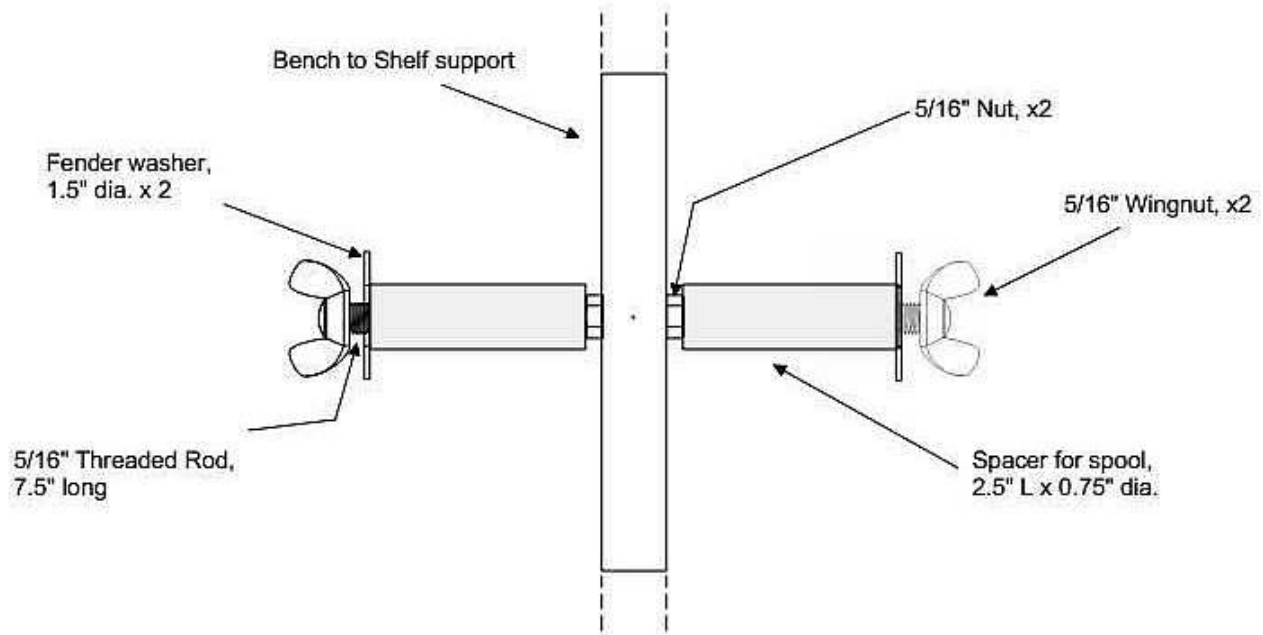


Figure 1 below shows the details:



Solder Spool Holder for your workbench